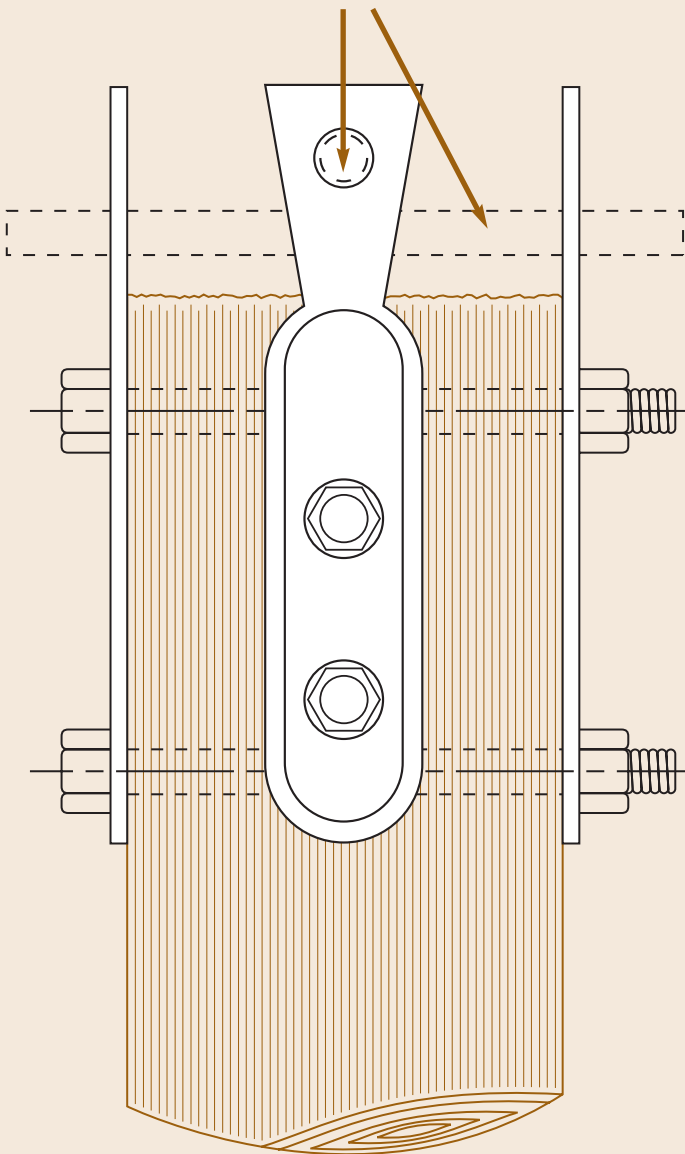


#10 Rebar not included



# TIMBER PILE UPLIFT ANCHOR

*Advanced Uplift  
Resistance Anchor  
For Timber Piles*

Your timber piles will have dependable uplift resistance with DFP cast steel timber pile uplift anchors. Our standard timber anchors are made from TUFLOY cast steel (90 ksi tensile, 60 ksi yield) and are galvanized at our foundry for superior corrosion protection. They assemble quickly in the field with just four holes drilled through the piles and rebar added. DFP casts integral teeth into each of the uplift anchors to provide extra 'bite' into the timber pile to provide added load capacity. DFP carries this style of uplift anchor in stock, ready to ship to your job site. The optionally supplied nuts, bolts and washers are also galvanized for additional corrosion protection. These anchors have been proven by field use. They are designed to utilize the full friction potential of the pile.



## DFP

**Foundation Products, LLC**

PO Box 688 • Franklin Lakes, NJ 07417-0688  
201-337-5748 • fax: 201-337-9022 • [www.pileline.com](http://www.pileline.com)